

QICKLY® CABINET, 3 FILE HEIGHTS, 3 DOORS

W/H/D: 104.2X110.5X42.6 CM



PRODUCT

Our qickly® wardrobe system impresses with its 45 degree miter and ABS edge in multiplex look. The body color is white melamine. This ultra-modern design makes classrooms and offices a real eye-catcher.

The cabinet boasts plenty of storage space and mobility, making it ideal for use in both schools and offices. It offers a total of three file heights. Its doors can be mounted on the right or left. In addition, the cabinet system can be extended at any time and can also be ordered with a set of castors, two of which are lockable.

The plinth height is 8.6 cm. The plinth height does not change when optional castors are used. The material thickness of the walls and shelves is 19 mm, the fixed rear panel is 8 mm thick and guarantees a high level of stability.

The cabinet is delivered to you disassembled, including assembly instructions for self-assembly. As the name of our product range suggests, the qickly® cabinet and shelving system impresses with its fast delivery.

qickly® - Smart. Fast. Simple.

FEATURES

- Delivery disassembled for self-assembly
- 45 degree miter
- ABS edge in multiplex look
- Intelligent modular system
- White melamine decor
- plinth height 8.6 cm
- stable 8 mm thick back panel
- qickly® - delivered quickly

Accessories

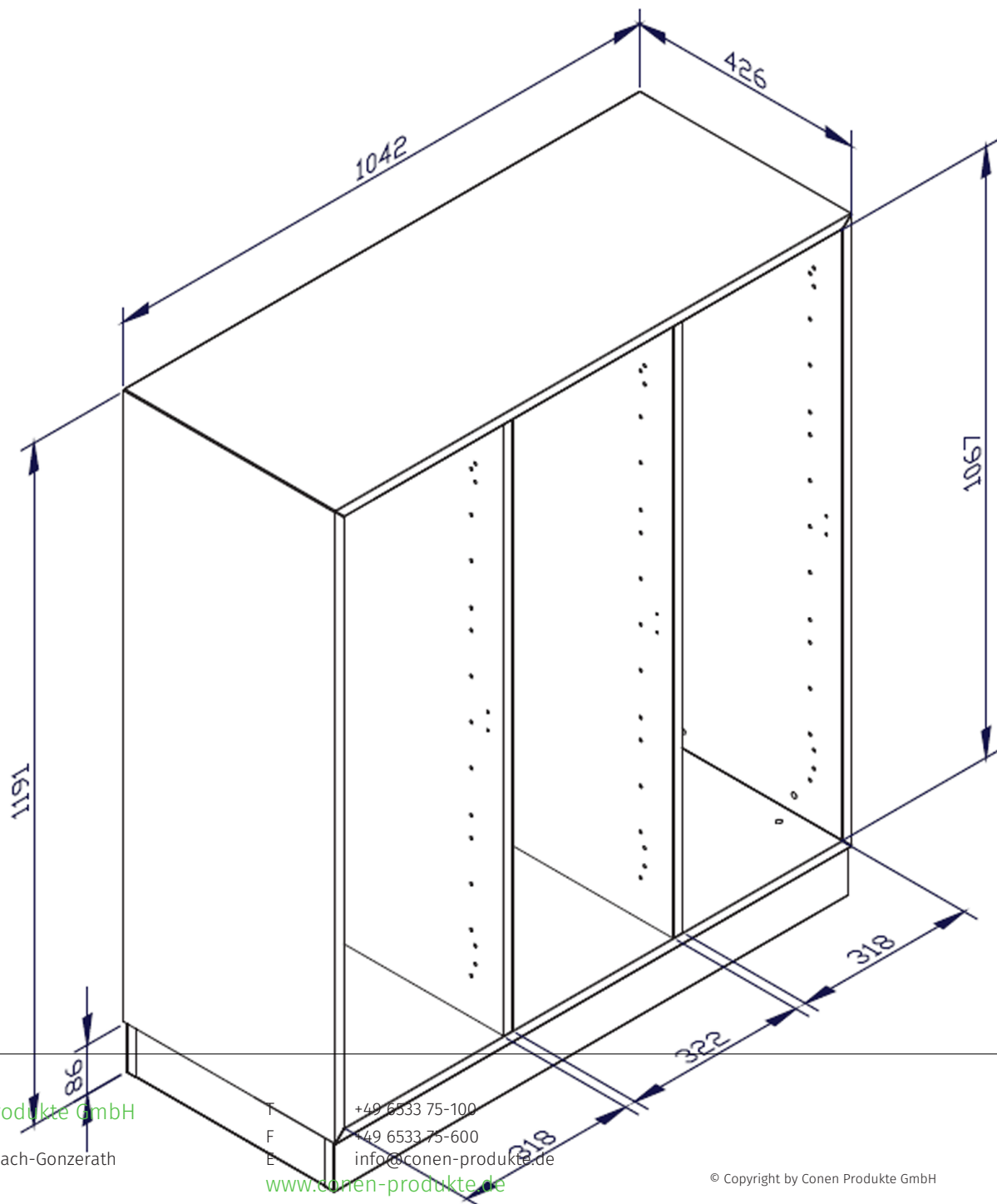


Castor set consisting of 4 castors for cabinets and shelves

Free-standing

Mobile

| | | |
|--------------------------|--|---------------------|
| Item number | SLS33TTT | |
| Width / Height / Depth | 1042 mm / 1105 mm / 426 mm | 41" / 43.5" / 16.8" |
| Folder heights | 3 | |
| Shelves | 6 | |
| Compartments | 12 | |
| Placement | Platform stand, Mobile | |
| Mounts application field | Primary school, Secondary school, Office furniture | |
| Material | Melamine board | |
| Product line | Qickly | |
| Packages | Package dimensions WxHxD | Package weight |
| SLS33-1 | 1155 x 86 x 461 mm / 45.5 x 3.4 x 18.1" | 26 kg / 57.3 lbs |
| SLS33-2 | 1028 x 461 x 93 mm / 40.5 x 18.1 x 3.7" | 23 kg / 50.7 lbs |
| SLSEB3 | 505 x 68 x 357 mm / 19.9 x 2.7 x 14.1" | 8 kg / 17.6 lbs |
| SLST13 | 1255 x 79 x 351 mm / 49.4 x 3.1 x 13.8" | 7 kg / 15.4 lbs |
| SLST23 | 1255 x 79 x 351 mm / 49.4 x 3.1 x 13.8" | 12 kg / 26.5 lbs |
| Total weight | 76 kg / 167.5 lbs | |



Conen Produkte GmbH
 Conenstr. 4
 54497 Morbach-Gonzerath
 Germany

T +49 6533 75-100
 F +49 6533 75-600
 E info@conen-produkte.de
www.conen-produkte.de

© Copyright by Conen Produkte GmbH