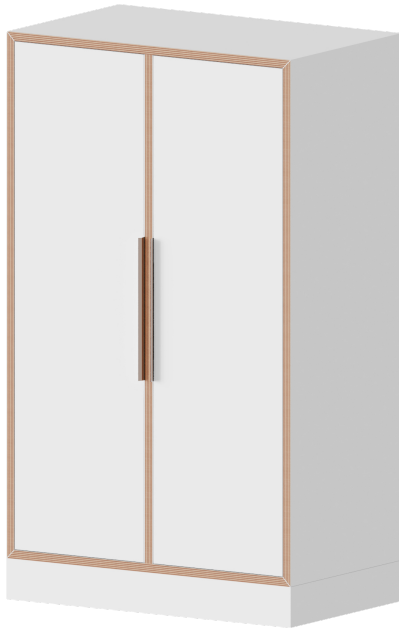


QICKLY® CABINET. 3 FILE HEIGHTS, 2 DOORS

W/H/D: 70.1X110.5X42.6 CM



PRODUCT

Our qickly® wardrobe system impresses with its 45 degree miter and ABS edge in multiplex look. The body color is white melamine. This ultra-modern design makes classrooms and offices a real eye-catcher.

The cabinet boasts plenty of storage space and mobility, making it ideal for use in both schools and offices. It offers a total of three file heights. Its doors can be fitted with both right and left hinges. In addition, the cabinet system can be extended at any time and can also be ordered with a set of castors, two of which are lockable.

The plinth height is 8.6 cm. The plinth height does not change when optional castors are used. The material thickness of the walls and shelves is 19 mm, the fixed rear panel is 8 mm thick and guarantees a high level of stability.

The cabinet is delivered to you disassembled including assembly instructions for self-assembly. As the name of our product range suggests, the qickly® cabinet and shelving system impresses with its fast delivery.

qickly® - Smart. Fast. Simple.

FEATURES

- Delivery disassembled for self-assembly
- 45 degree miter
- ABS edge in multiplex look
- Intelligent modular system
- White melamine decor
- plinth height 8.6 cm
- stable 8 mm thick back panel
- qickly® - delivered quickly

Accessories

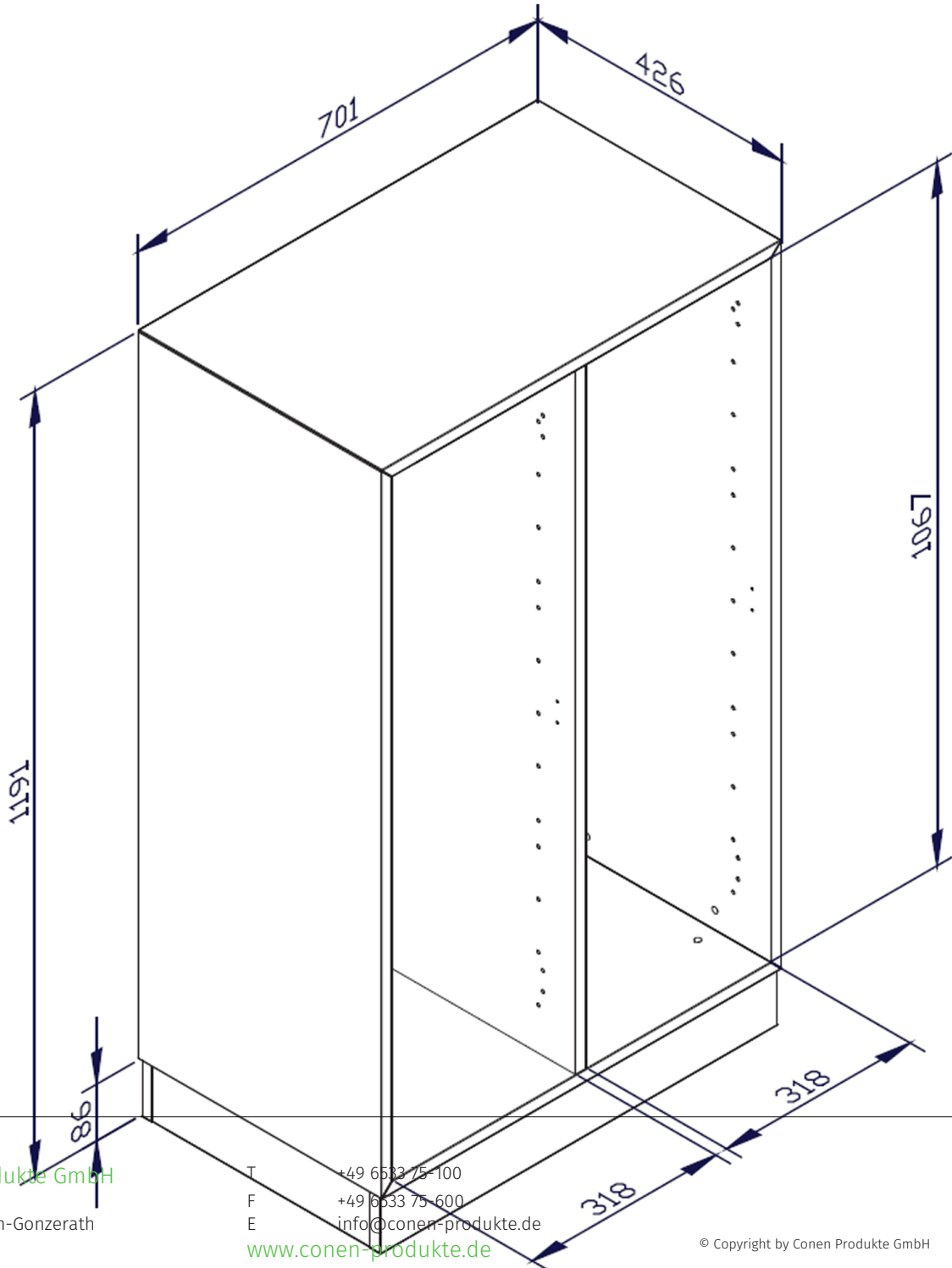


Castor set consisting of 4 castors for cabinets and shelves

Free-standing

Mobile

Item number	SLS23TT	
Width / Height / Depth	701 mm / 1105 mm / 426 mm	27.6" / 43.5" / 16.8"
Folder heights	3	
Shelves	4	
Compartments	8	
Placement	Platform stand, Mobile	
Mounts application field	Primary school, Secondary school, Office furniture	
Material	Melamine board	
Product line	Qickly	
Packages	Package dimensions WxHxD	Package weight
SLS23-1	1156 x 109 x 463 mm / 45.5 x 4.3 x 18.2"	25 kg / 55.1 lbs
SLS23-2	751 x 67 x 461 mm / 29.6 x 2.6 x 18.1"	12 kg / 26.5 lbs
SLSEB2	505 x 68 x 357 mm / 19.9 x 2.7 x 14.1"	6 kg / 13.2 lbs
SLST23	1255 x 79 x 351 mm / 49.4 x 3.1 x 13.8"	12 kg / 26.5 lbs
Total weight	55 kg / 121.3 lbs	



Conen Produkte GmbH
 Conenstr. 4
 54497 Morbach-Gonzerath
 Germany

T +49 6533 75-100
 F +49 6533 75-600
 E info@conen-produkte.de
www.conen-produkte.de

© Copyright by Conen Produkte GmbH