

QICKLY® CABINET, 2 FILE HEIGHTS, 2 DOORS

W/H/D: 70.1X74.3X42.6 CM



Accessories



Castor set consisting of 4 castors for cabinets and shelves

PRODUCT

Our qickly® wardrobe system impresses with its 45 degree miter and ABS edge in multiplex look. The body color is white melamine. This ultra-modern design makes classrooms and offices a real eye-catcher.

The cabinet boasts plenty of storage space and mobility, making it ideal for use in both schools and offices. It offers a total of two file heights. In addition, the cabinet system can be extended at any time and can also be ordered with a set of castors, two of which are lockable.

The plinth height is 8.6 cm. The plinth height does not change when optional castors are used. The material thickness of the walls and shelves is 19 mm, the fixed rear panel is 8 mm thick and guarantees a high level of stability.

The cabinet is delivered to you disassembled including assembly instructions for self-assembly. As the name of our product range suggests, the qickly® cabinet and shelving system impresses with its fast delivery.

qickly® - Smart. Fast. Simple.

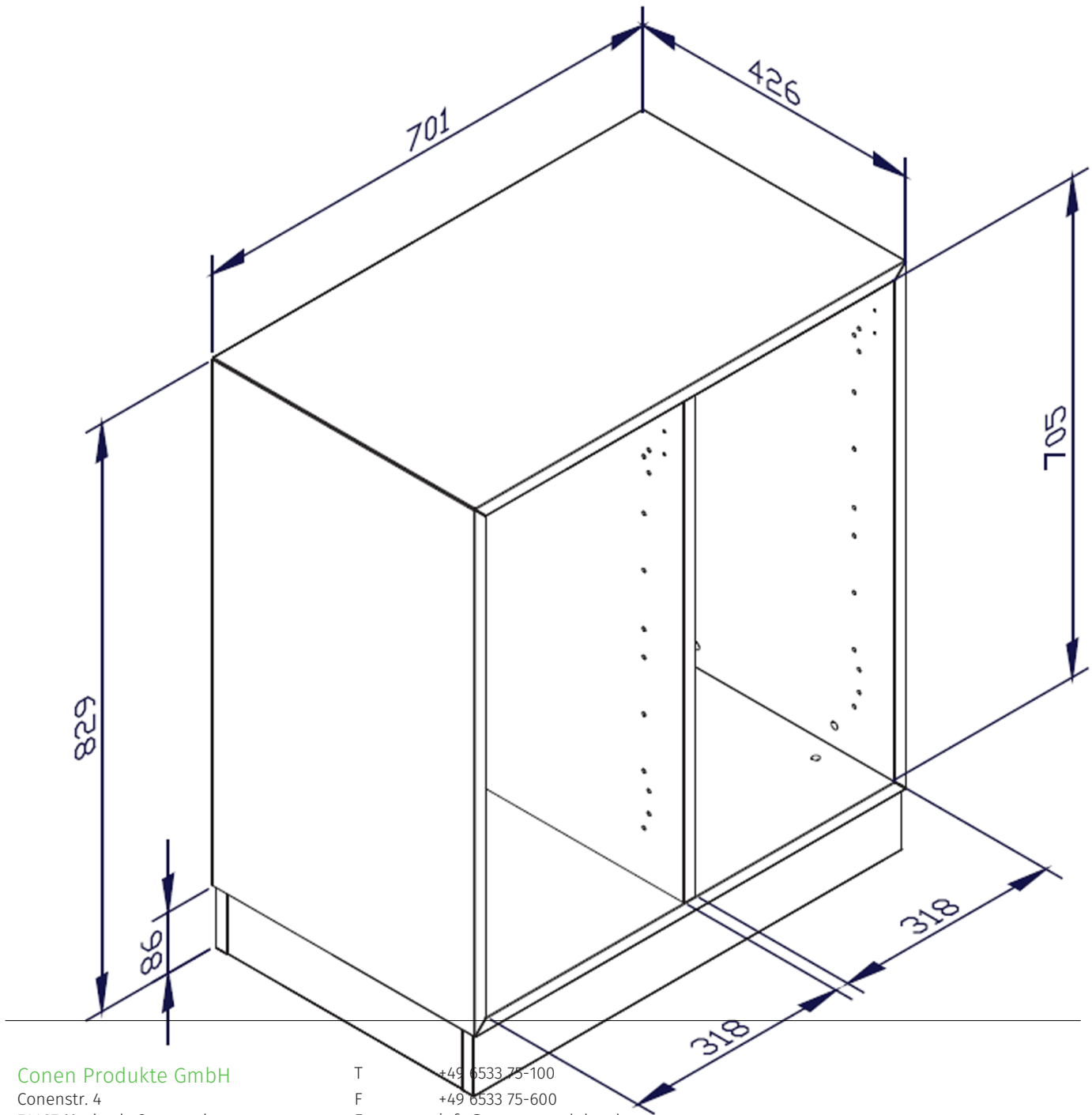
FEATURES

- Delivery disassembled for self-assembly
- 45 degree miter
- ABS edge in multiplex look
- Intelligent modular system
- White melamine decor
- plinth height 8.6 cm
- stable 8 mm thick back panel
- qickly® - delivered quickly

Free-standing

Mobile

| | | |
|--------------------------|----------------------------------------------------|-----------------------|
| Item number | SLS22TT | |
| Width / Height / Depth | 701 mm / 743 mm / 426 mm | 27.6" / 29.3" / 16.8" |
| Folder heights | 2 | |
| Shelves | 2 | |
| Compartments | 4 | |
| Placement | Platform stand, Mobile | |
| Mounts application field | Primary school, Secondary school, Office furniture | |
| Material | Melamine board | |
| Product line | Qickly | |
| Packages | Package dimensions WxHxD | Package weight |
| SLS22 | 461 x 151 x 801 mm / 18.1 x 5.9 x 31.5" | 28 kg / 61.7 lbs |
| SLSEB2 | 505 x 68 x 357 mm / 19.9 x 2.7 x 14.1" | 6 kg / 13.2 lbs |
| SLST22 | 749 x 108 x 351 mm / 29.5 x 4.3 x 13.8" | 8 kg / 17.6 lbs |
| Total weight | 42 kg / 92.5 lbs | |



Conen Produkte GmbH
 Conenstr. 4
 54497 Morbach-Gonzerath
 Germany

T +49 6533 75-100
 F +49 6533 75-600
 E info@conen-produkte.de
www.conen-produkte.de

© Copyright by Conen Produkte GmbH