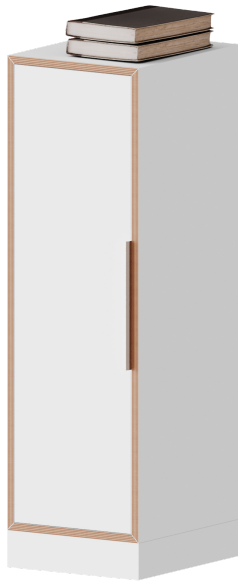


## QICKLY® CABINET, 3 FILE HEIGHTS, 1 DOOR

W/H/D: 36X110.5X42.6 CM



### PRODUCT

Our qickly® wardrobe system impresses with its 45 degree miter and ABS edge in multiplex look. The body color is white melamine. This ultra-modern design makes classrooms and offices a real eye-catcher.

The cabinet boasts plenty of storage space and mobility, making it suitable for use in both schools and offices. It is separated by two shelves and offers space for a total of three file heights. The cabinet door can be fitted on the right or left. In addition, the cabinet system can be easily extended at any time and can also be ordered with a set of castors, two of which are lockable.

The plinth height is 8.6 cm. The plinth height does not change when optional castors are used. The material thickness of the walls and shelves is 19 mm, the fixed rear panel is 8 mm thick and guarantees a high level of stability.

The cabinet is delivered to you disassembled including assembly instructions for self-assembly. As the name of our product range suggests, the qickly® cabinet and shelving system impresses with its fast delivery.

qickly® - Smart. Fast. Simple.

### FEATURES

- Delivery disassembled for self-assembly
- 45 degree miter
- ABS edge in multiplex look
- Intelligent modular system
- White melamine decor
- plinth height 8.6 cm
- stable 8 mm thick back panel
- qickly® - delivered quickly

### Accessories

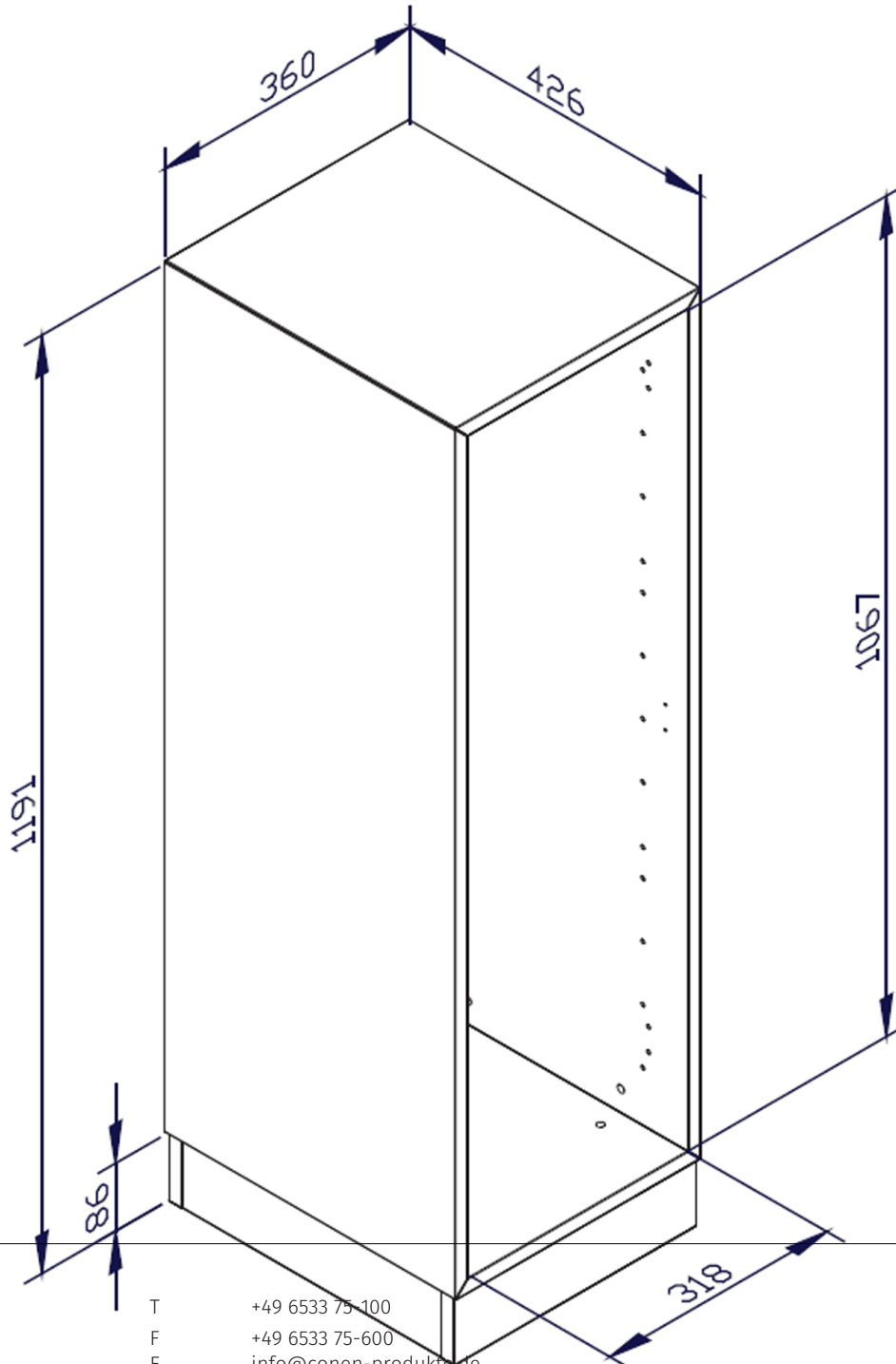


Castor set consisting of 4 castors for cabinets and shelves

Free-standing

Mobile

Item number	SLS13T	
Width / Height / Depth	360 mm / 1105 mm / 426 mm	14.2" / 43.5" / 16.8"
Folder heights	3	
Shelves	2	
Compartments	4	
Placement	Platform stand, Mobile	
Mounts application field	Primary school, Secondary school, Office furniture	
Material	Melamine board	
Product line	Quickly	
Packages	Package dimensions WxHxD	Package weight
SLS13	1155 x 86 x 461 mm / 45.5 x 3.4 x 18.1"	23 kg / 50.7 lbs
SLSEB2	505 x 68 x 357 mm / 19.9 x 2.7 x 14.1"	6 kg / 13.2 lbs
SLST13	1255 x 79 x 351 mm / 49.4 x 3.1 x 13.8"	7 kg / 15.4 lbs
Total weight	36 kg / 79.3 lbs	



Conen Produkte GmbH  
 Conenstr. 4  
 54497 Morbach-Gonzerath  
 Germany

T +49 6533 75-100  
 F +49 6533 75-600  
 E info@conen-produkte.de  
[www.conen-produkte.de](http://www.conen-produkte.de)

© Copyright by Conen Produkte GmbH